

# WebCT CE via AAlportal — using the transparent mode

**Dr. Beat Müller**

**Network for Educational Technology - NET  
ETH Zürich**

**[mueller@net.ethz.ch](mailto:mueller@net.ethz.ch)**

**<http://www.net.ethz.ch/>**



# ***Contents***

- **Introduction**
- **AAI: the Transparent Mode**
- **Demonstration**
- **Reenabling WebDAV**
- **Importing Additional Attributes**
- **First Experience**

# ***Introduction***

## **What is WebCT CE?**

- **web-based e-learning platform (course management)**
- **widely-used worldwide**
- **based on Perl Scripts (vs. WebCT Vista: Java)**
- 

## **WebCT @ ETHZ**

- **Spring 1998: v. 1.x**
- **v. 2.1, v. 3.1.x SE, v. 3.6 SE**
- **Summer 2003: v. 4.0 CE**
- **Autumn 2003: v. 4.1 CE + LDAP (n.ethz UID)**
- **29.3.2005: v. 4.1 CE fully AAI enabled**

# ***Introduction 2***

## **User Patterns**

- > Operational Server: 5576 users, 157 courses --> 8259 seeds**
- > Test Server: 426 users, 2 courses --> 441 seeds**

## **Hardware and OS**

- > Intel based dual processor**
- > Red Hat Enterprise Linux 3 AS**
  
- > Built in WebCT LADP supports no SSL**
- > We provide WebCT services for ETHZ and Uni ZH**
- > Idea: enable ETHZ WebCT with AAI**
- > WebCT doesn't support Apache default authentication --> adaptor needed for using Shibboleth**

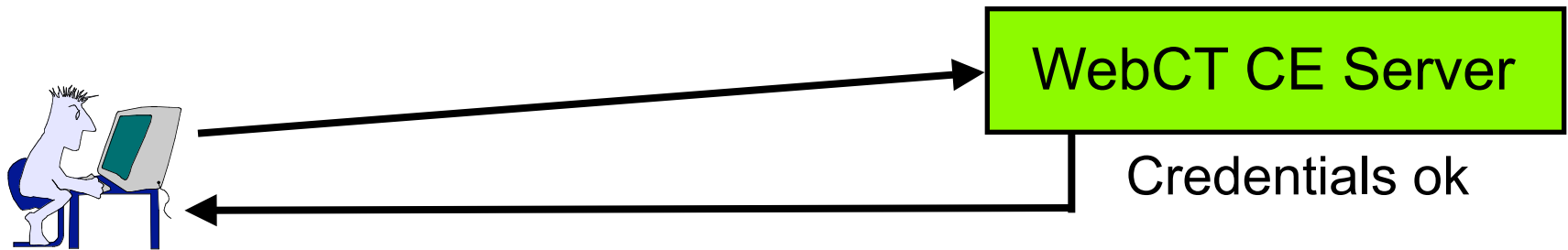
# ***Introduction 3***

**In the meantime: the idea is grown into a respectable Project**

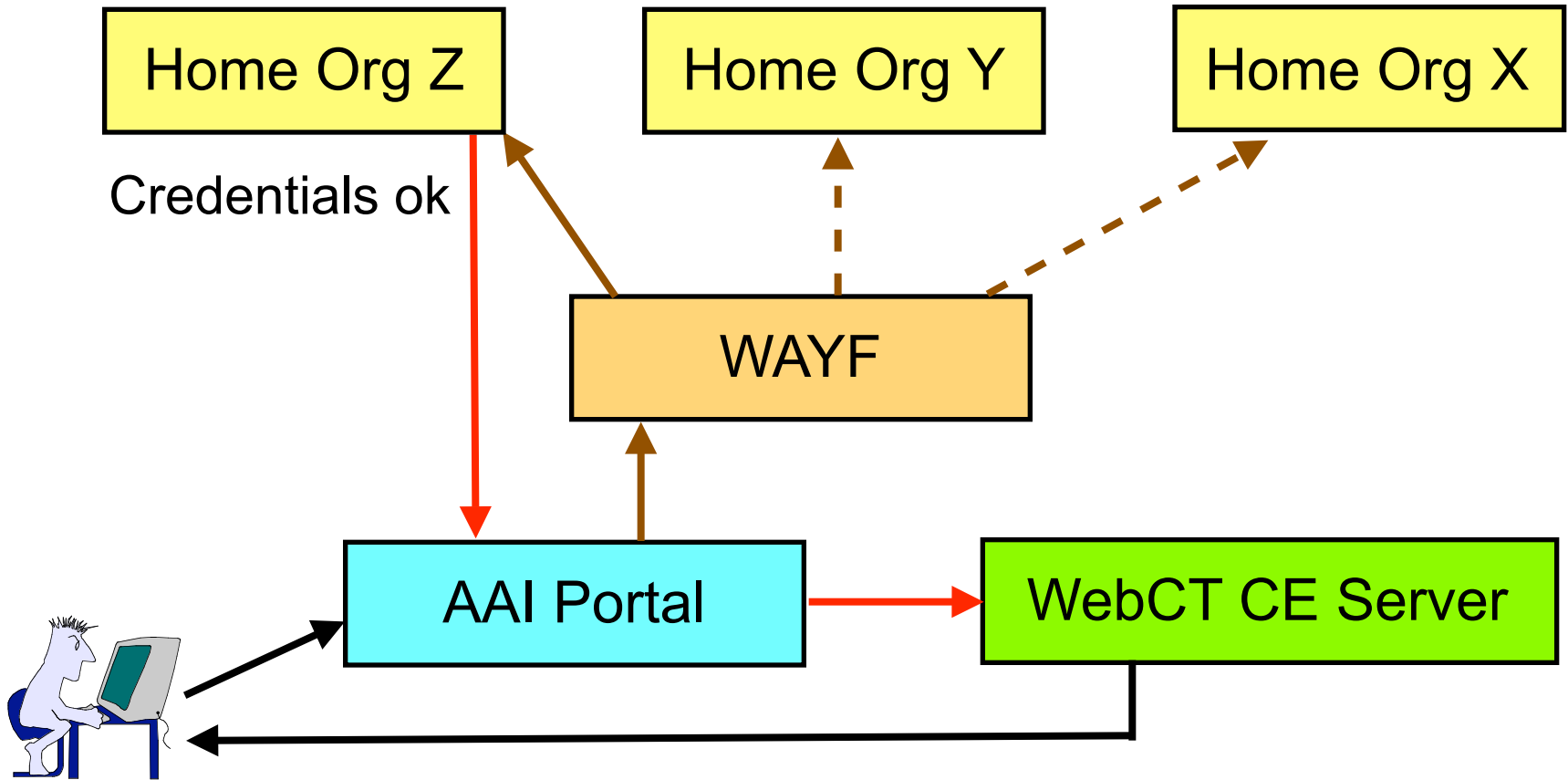
**Involved People:**

- > Simon Wieser & Giovanni Staunovo (KOF ETHZ)**
- > Roland Dietlicher, Vladislav Nesor & Swen Vermeulen (ID ETHZ: Basisdienste)**
- > Alfred Soom (ID ETHZ: Betriebsinformatik)**
- > Ueli Kienholz & Valéry Tschopp (SWITCH: AAI)**
- > Christian Gehrig, Marco Lehre, Olivier Widmer, Thomas Piendl & Beat Müller (NET ETHZ)**

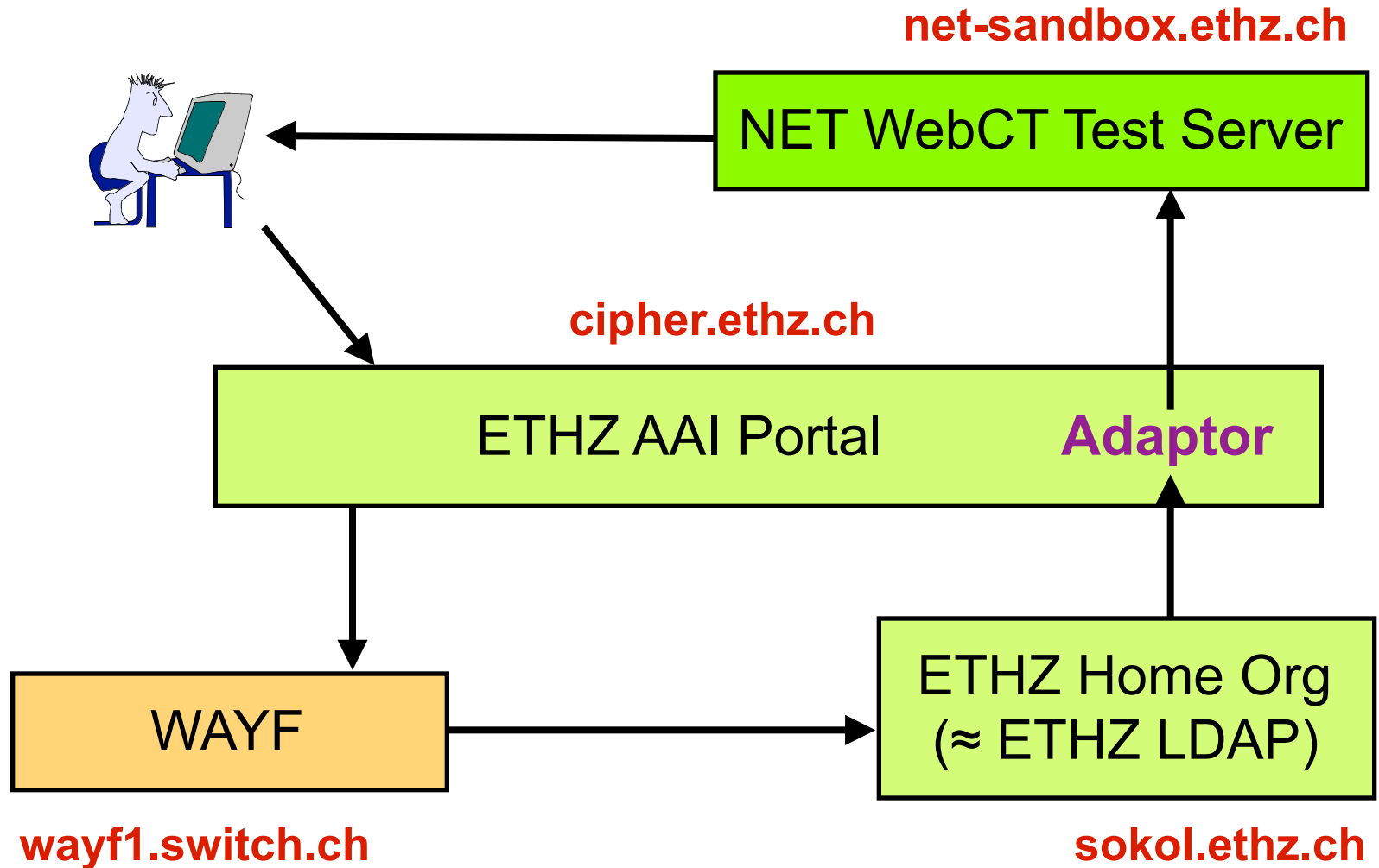
# AAI: "How it Works"



# AAI: "How it Works" 2



# Transparent Mode in Details





# *Transparent Mode: How to Access WebCT CE*

## E-Ticket: URL and Parameters

[https://cipher.ethz.ch/aai\\_portal\\_plugins/webctce.php?...](https://cipher.ethz.ch/aai_portal_plugins/webctce.php?...)

## Register & login into a course

action=**register**&courseid=**test\_1**

## Login into MyWebCT

action=**login**

# Reenabling WebDAV

## WebDAV

- Set of extensions to the HTTP protocol which allows users to collaboratively edit and manage files on remote web servers
- Handier for course designers than uploading zip-files
- But Shibboleth works only with web browsers (so far)
- But it's still possible to use single signon and WebDAV in WebCT CE together (WebCT PWD ≠ WebDAV PWD)
- WebDAV over SSL has some drawbacks:
  - in Windows you cannot use Internet Explorer
  - in MacOS X you need a client software (e.g. Goliath)

# Importing Additional Attributes

<https://kohala.switch.ch/secure/>

## User information as provided by the Home Organization

<u>Given name</u>	Beat	<u>Home organization</u>	ethz.ch
<u>Surname</u>	Müller	<u>Home organization type</u>	university
<u>Affiliation</u>	staff	<u>Preferred language</u>	
<u>E-mail address</u>	beat.mueller@net.ethz.ch	<u>Mobile phone number</u>	
<u>Business postal address</u>	Network for Educ. Technology Sonneggstrasse 63 ETH-Zentrum, SOW G 17 8092 Zürich	<u>Home postal address</u>	
<u>Business phone number</u>		<u>Private phone number</u>	
<u>Date of birth</u>		<u>Gender</u>	male
<u>Unique ID</u>	45243@ethz.ch		
<u>Member of</u>			
<u>Study branch 1</u>			
<u>Study branch 2</u>			
<u>Study branch 3</u>	4700		
<u>Study level</u>	4700-25		
<u>Staff category</u>			
<u>Organization path</u>			
<u>Organizational unit path</u>			

# *Importing Additional Attributes 2*

## **Import of:**

- **E-Mail Address**
- **Study Branch (3)**
- **Study Level**

**into course dbs**

## **Usefull for course designers to**

- **contact students**
- **decide wether a student needs a certificate**

# *First Experience*

## Advantage

- The two course designers involved in project are very satisfied with the new authentication system
- Less user support (forgotten PWDs)

## Drawbacks

- Support people need more clicks to create new courses and to assign them to course designers
- Key words for 'Study level' still missing
- Some minor AAI Portal software problems:
  - Creation of WebCT ID of names
  - containing some special characters like ' --> will be 'escaped' in PHP (\')
  - after changes in 'Given name' and/or 'Surname'

**Many thanks to Roland Dietlicher, Ueli Kienholz,  
Vladislav Nespov, Alfred Sohm, Giovanni Staunovo,  
Valéry Tschopp, Swen Vermeulen, Simon Wieser for  
supporting this project.**

**[mueller@net.ethz.ch](mailto:mueller@net.ethz.ch)**